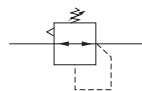


## 符号/Symbol



## 规格/Specification

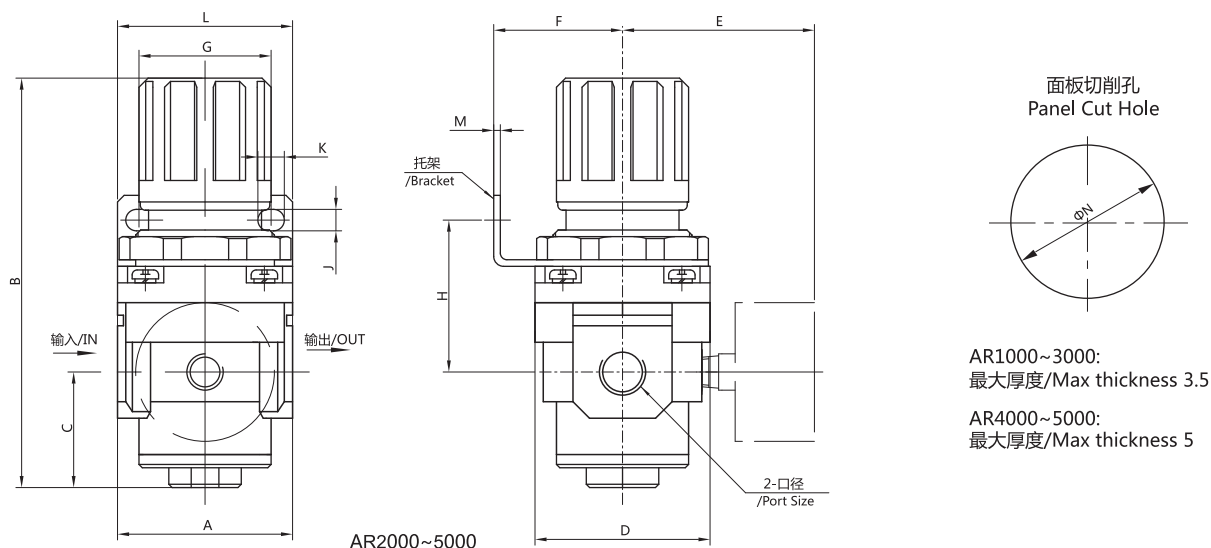
保证耐压力/ Ensured Pressure Resistance	1.5MPa(15kgf/cm <sup>2</sup> )
最高使用压力/Highest Working Pressure	1.0MPa(10kgf/cm <sup>2</sup> )
环境及流体温度/ Ambient and Fluid Temperature	5~60°C
调压范围 /Pressure Regulating Range	AR2000~5000: 0.05-0.85MPa(0.5-8.5kgf/cm <sup>2</sup> )
阀型/Valve Type	带溢流型/ With Overflow

\* 还有调压范围0.05~0.2MPa(0.5~2kgf/cm<sup>2</sup>)  
 \* Pressure range 0.05~0.2MPa ( 0.5~2kgf/cm<sup>2</sup>) is available.

型号 /Model	规格/ Specifications			配件 /Accessories	
	注1)额定流量 /Note1) Rated Flow(L/min)	注2)接管口径 /Note 2)Port Size (G)	压力表口径 /Pressure Gauge Size	托架 /Bracket	压力表 /Pressure Gauge
AR2000-02	550	1/4	1/8	B220	G36-10-01
AR3000-02	2500	1/4	1/8	B320	G36-10-01
AR3000-03	2500	3/8	1/8	B320	G36-10-01
AR4000-04	6000	1/2	1/4	B420	G46-10-02
AR4000-06	6000	3/4	1/4	B420	G46-10-02
AR5000-06	8000	3/4	1/4	B420	G46-10-02
AR5000-10	8000	1	1/4	B420	G46-10-02

注1)供应压力为0.7MPa(7.1 kgf/cm<sup>2</sup>)设定压力为0.5MPa(5.1 kgf/cm<sup>2</sup>)的情况下。  
 注2)接管口径另有Rc、NPT螺纹可供选择。  
 Note 1)Under the circumstance that the supply pressure is 0.7MPa(7.1kgf/cm<sup>2</sup>) and set pressure is 0.5MPa(5.1kgf/cm<sup>2</sup>)  
 Note2) Rc and NPT thread are available.

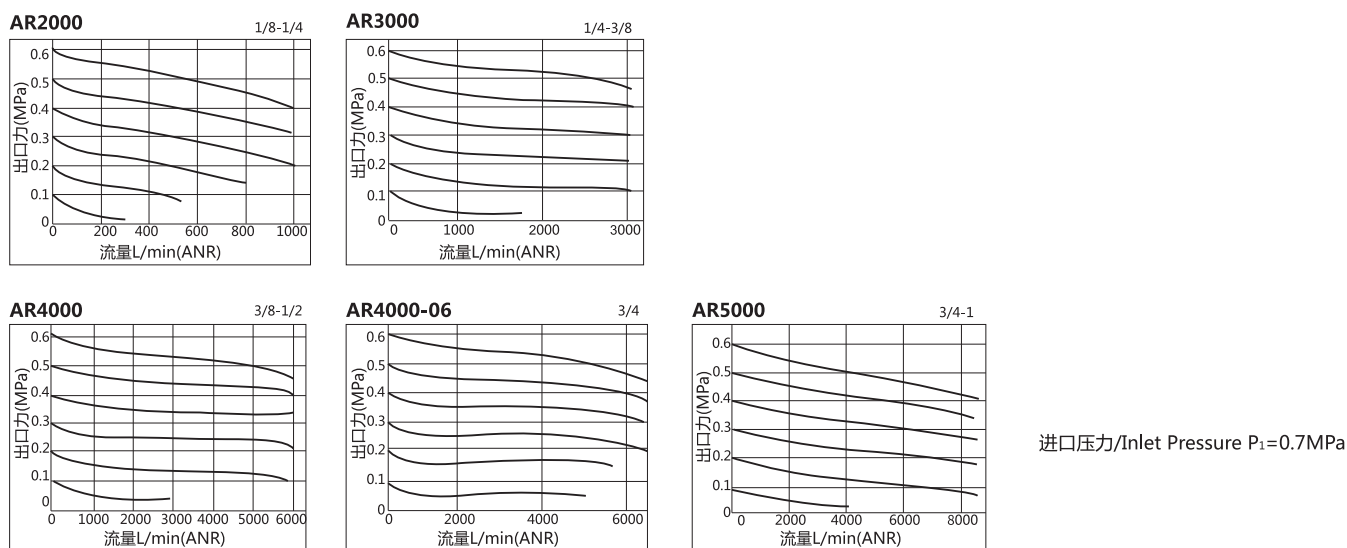
## 外形尺寸图/ Overall Dimension Drawing(mm)



## 尺寸表/Dimension Sheet (mm)

型号/Model	注2)接管口径 /Note 2)Port Size (G)	压力表口径 /Pressure Gauge Size	A	B	C	D	E	F	G	H	J	K	L	M	N
AR2000-02	1/4	1/8	40	95	17	40	56.8	30	34	44	5.4	15.4	55	2.3	33.5
AR3000-02	1/4	1/8	53	127.5	35	53	60.8	39	40	46	6.5	8	53	2.3	42.5
AR3000-03	3/8	1/8	53	127.5	35	53	60.8	39	40	46	6.5	8	53	2.3	42.5
AR4000-04	1/2	1/4	70	149.5	37.5	70	65.5	49.2	54	54	8.5	10.5	70	2.3	52.5
AR4000-06	3/4	1/4	75	154	40.5	70	69.5	49.2	54	55.5	8.5	10.5	70	2.3	52.5
AR5000-06	3/4	1/4	90	168	48	90	75.5	49.2	54	62	8.5	10.5	70	2.3	52.5
AR5000-10	1	1/4	90	168	48	90	75.5	49.2	54	62	8.5	10.5	70	2.3	52.5

## 流量特性曲线/ Characteristic Curve of Flow Rate



## 压力特性曲线/Characteristic Curve of Pressure

